

15 KV – 500 KVA TO 1000 KVA  
3-PHASE CONCRETE TRANSFORMER  
PAD DETAIL

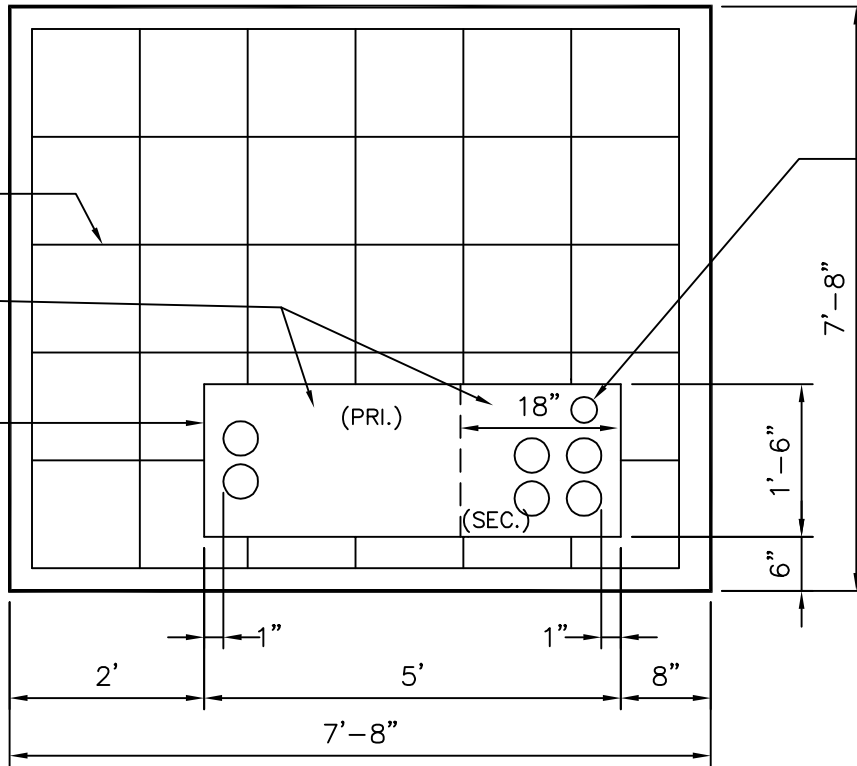
BACK

3000lb. CONCRETE  
 WITH #4 REBAR  
 2-WAY 12" O.C.

OPENING FOR  
 CONDUITS

OPENING FOR  
 PRIMARY CONDUITS

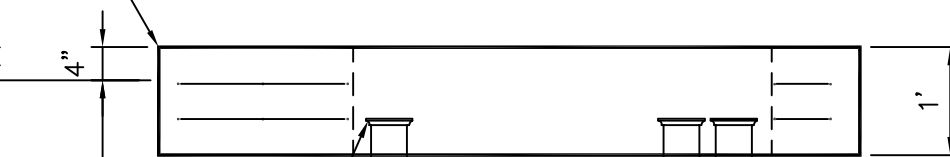
3/4" METERING  
 CONDUIT  
 BY ELECTRICAL  
 CONTRACTOR TO  
 BUILDING WALL (IF  
 REQUIRED)



FRONT

3/4" CHAMFER

FINAL GRADE



END BELL

QUANTITY & SIZE OF SERVICE  
 CONDUITS TO BE DETERMINED BY  
 ELECTRICAL CONTRACTOR

(2) SCH. 40 PVC 90° ELBOWS W/24"  
 RADIUS (MIN.) SEE NOTE 1 FOR REQUIRES  
 SIZE. BY ELECTRICAL CONTRACTOR

(2) SCH. 40 PVC CONDUITS. SEE  
 NOTE 1 FOR REQUIRED SIZE. BY  
 CITY OF MONROE ELECTRIC

NOTE:

1. 15kV = 4" CONDUIT
2. COMPACTED SUB GRADE BENEATH PAD.

ENG BY  
 F. PORTER

15 KV – 500 KVA TO 1000 KVA  
 3-PHASE CONCRETE TRANSFORMER PAD DETAIL

SCALE  
 NTS

DATE  
 11/22/05

**CITY OF MONROE ENERGY SERVICES DEPARTMENT**

DRAWING NO.  
 500 KVA